

1000BASE-TX VOIP/POE TRANSFORMER

Features :

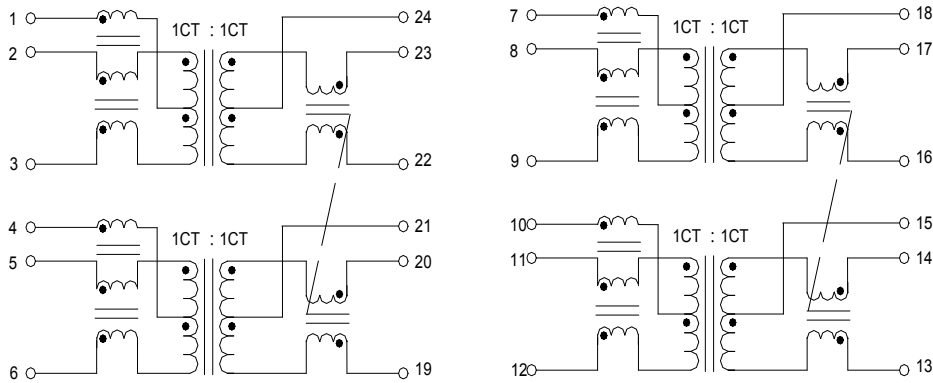
- 1) Complies with IEEE 802.3af and ANSI X3.263 standards.
- 2) Including 350µH open circuit inductance with 8mA DC bias .
- 3) Low profile surface mount packaging designed for Hi-Temp reflow process (250°C peak).
- 4) 370mA DC current carrying capacity on Line-Side for power over ethernet applications.

FW-H2405SD

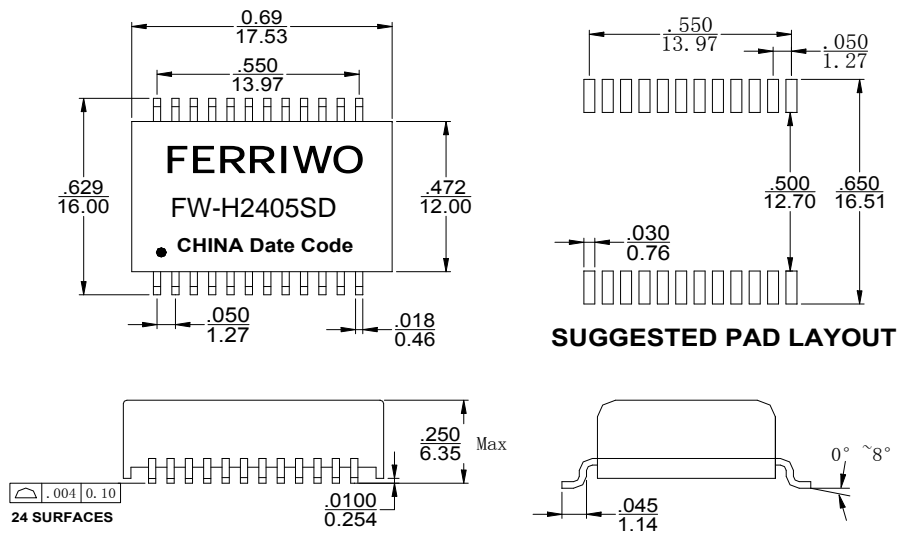
A) Electrical Specifications @ 25°C --- Operating temperature -0°C To +70°C

Turns Ratio (±2%)	Insertion Loss (dB Max)		Return Loss (dB Min)				Differential to Common Mode Rejection (dB typ.)			Crosstalk (dB Min.)			Hi-Pot
	0.1MHz	100MHz	30MHz	60MHz	80MHz	100MHz	30MHz	60MHz	100MHz	30MHz	60MHz	100MHz	
1CT : 1CT	-1.2	-1.2	-18	-14	-12	-10	-45	-40	-35	-40	-37.5	-33	1500Vrms

B) Schematics



C) Mechanical Dimensions (Unit: inches / mm)



Unless otherwise specified, all tolerances are ±.010 / 0.25